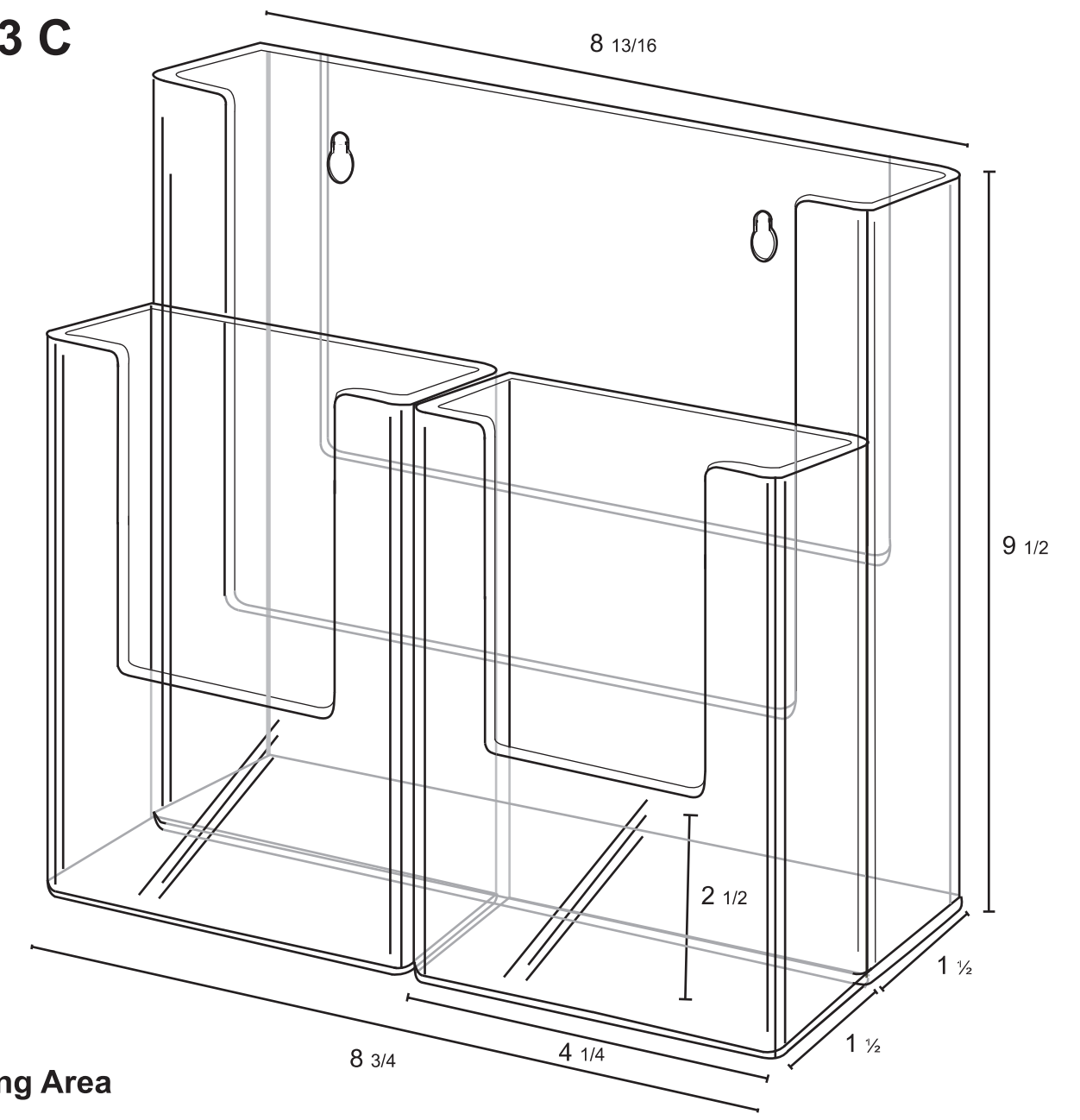


**153 C**



**Maximum Printing Area**

**2.2" x 3.8"**