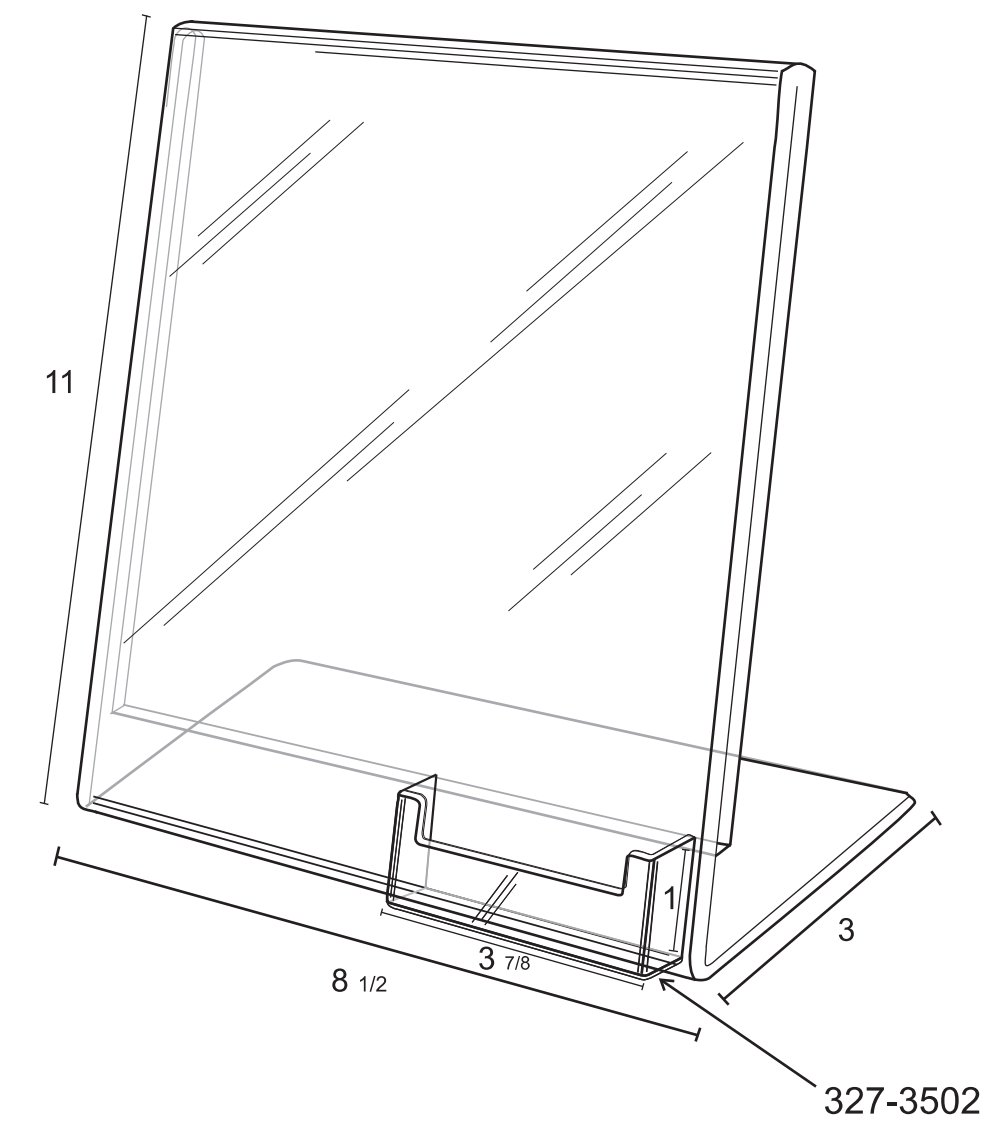


**Maximum Printing Area**

**0.50" x 3.50"**



200-8511CH



11

8 1/2

3 7/8

327-3502

3

1